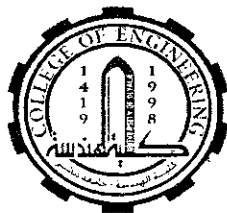


University of Diyala  
 College of Engineering  
 Dep. Of Communication  
 Final Exam/2<sup>st</sup> Attempt



Class:1<sup>st</sup> stage  
 Subject: Electrical . Fun  
 Year: 2011-2012  
 Time:3 hour

**Note:- Answer five questions only**

|    |   |     |
|----|---|-----|
| Q1 | <p><b>A /:</b> Find the total resistance (<math>R_{ab}</math>) of the network of Fig.(1-A).<br/> <b>B /:</b> Find <math>v_o</math> and <math>i_o</math> in the circuit of Fig. (1-B)</p>  | 20% |
| Q2 | <p>For the circuit shown in Fig.(2), find the current in the (<math>3\Omega</math>) resistor using:-<br/>           1- Loop current method.<br/>           2- Nodal voltage method.</p>   | 20% |
| Q3 | <p>Find the load impedance in Fig. (3) for maximum power transfer to the load, and find the maximum power.</p>  | 20% |
| Q4 | <p>For the circuit shown in Fig.(4), find the current in the (<math>4\Omega</math>) resistor using:-<br/>           1- Thevenin's theorem.<br/>           2- Norton's theorem.</p>  | 20% |
| Q5 | <p><b>A /:</b>For the network of Fig.(5-A), determine:- <math>Z_T</math> , <math>I_T</math> , <math>V_R</math> , <math>P</math> , p.f<br/> <b>B /:-</b> Calculate the magnetic flux for the magnetic circuit shown in fig (5-B). If the current <math>I=5A</math>, <math>N=60</math> t, <math>A=2\times 10^{-4} m^2</math>, <math>\ell_{abcd}=0.3</math> m and <math>\mu_r=303</math> for the cast iron.</p>  | 20% |
| Q6 | <p><b>A /:</b> For a series (R-L-C) circuit, the inductor is variable. The source voltage is (<math>\sqrt{2} 200 \sin 100 \pi t</math>) volt. Maximum current obtained by varying the inductance is (0.314 A), and the voltage across the capacitor is (300V). find the circuit elements (R-L and C).<br/> <b>B /:</b> A coil having an inductance of (50 mH) and a resistance of (10 <math>\Omega</math>) is connected in series with a (25 <math>\mu F</math>) capacitor across a (200 V) ac supply. Calculate :-<br/>           1- Resonance frequency.<br/>           2- Current flowing at resonance.<br/>           3- The value of <math>Q_o</math> using different expressions.</p> | 20% |

Good Luck

Head of Dep.

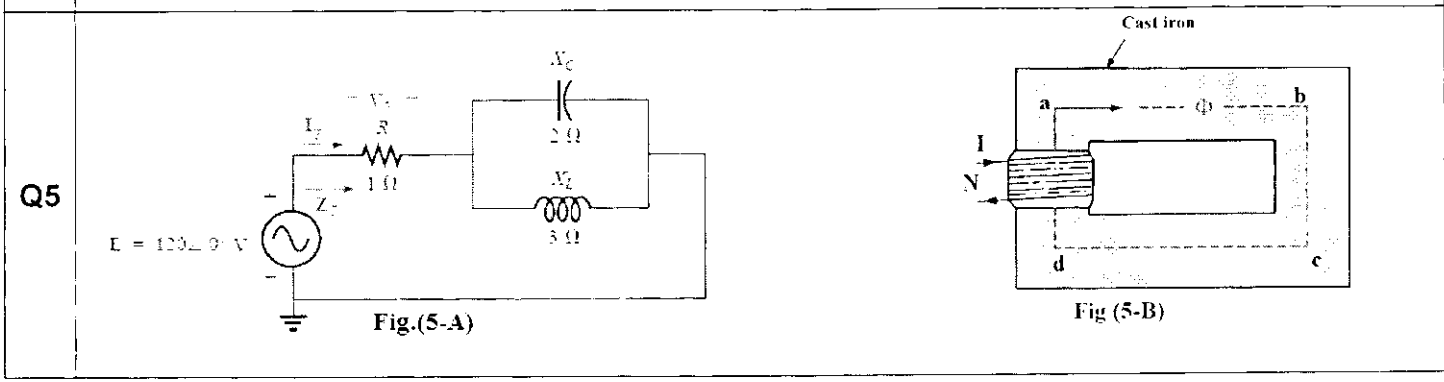
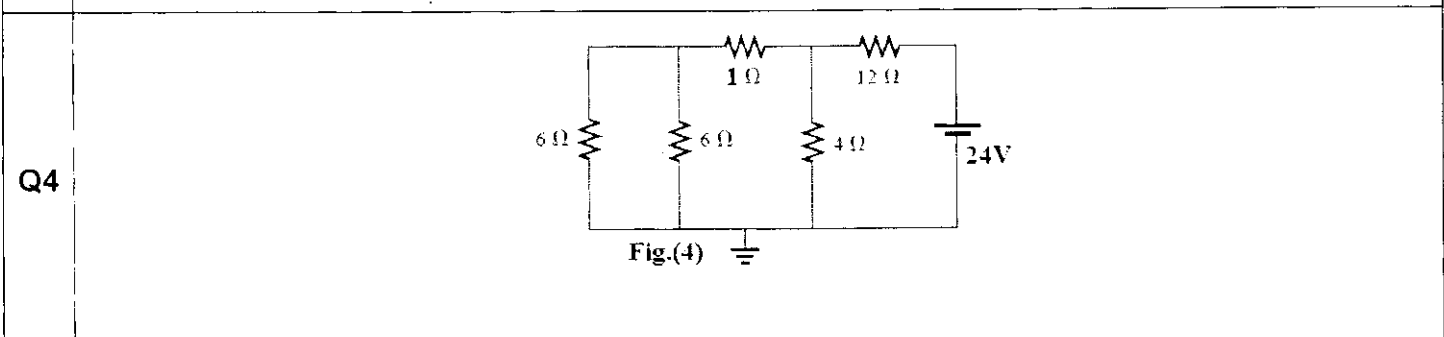
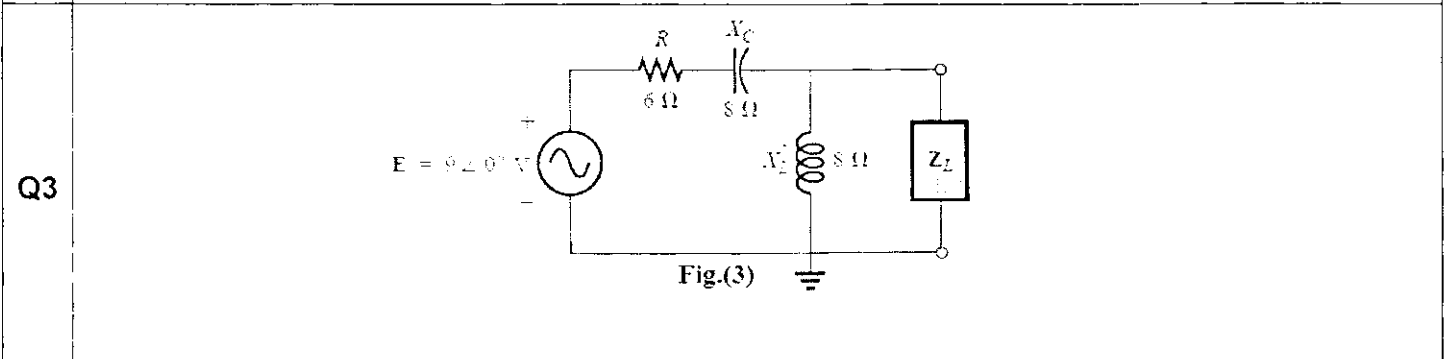
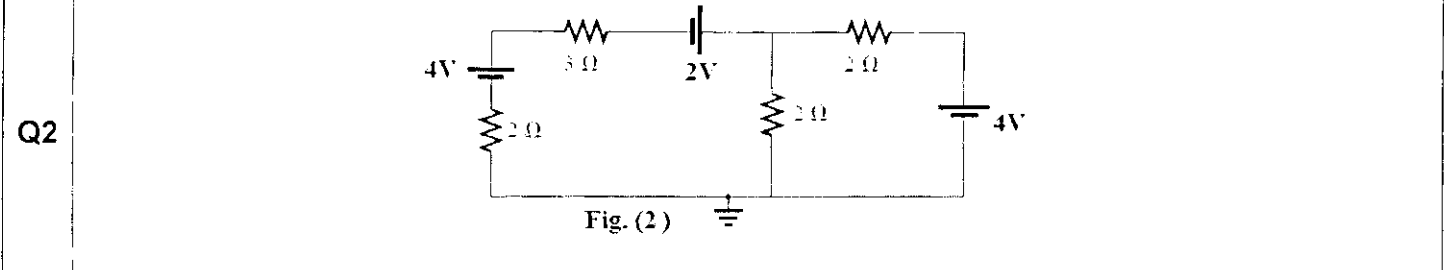
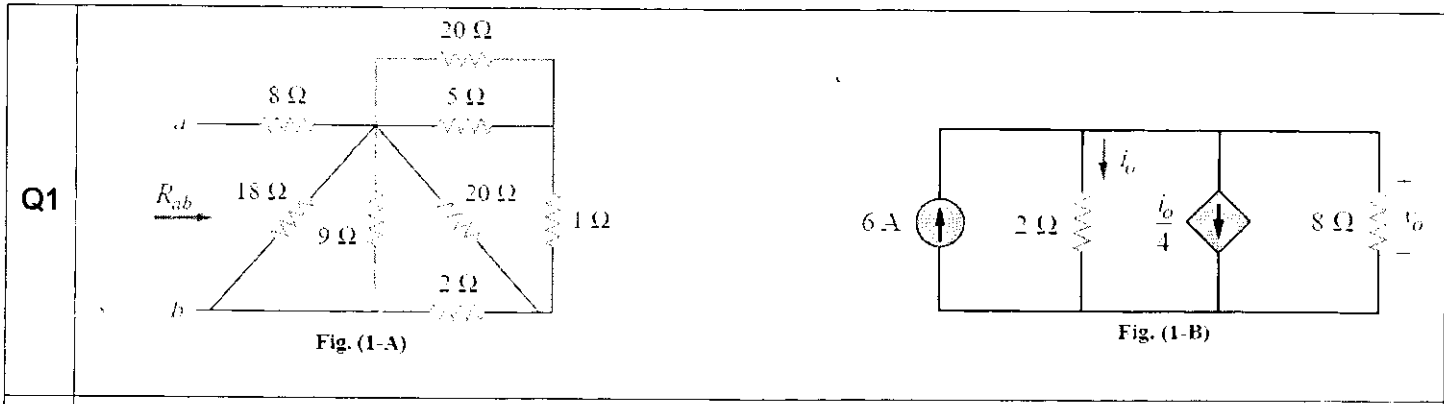
Name: Lecture. Saib. T. Alwan

Lecturer:

Name: Ass. Lecture. Ahmed. S. Abdulla



Attached Figures and Notes



الكرزنيك  
مربي  
صاحب  
صيكاليك  
القدرة  
الانفلاق

University of Diyala  
College of Engineering  
Dep. Of mechanical engineering  
Final Exam/ 2<sup>nd</sup> Attempt



Class: 1<sup>st</sup> stage  
Subject: Electrical. Fun  
Year: 2011-2012  
Time: 3 hour

Note:-Answer five questions only

|    |   |     |
|----|---|-----|
| Q1 | The resistivity of a ferric-chromium-aluminum alloy shown in FIG(1) is $51 \times 10^{-8} \Omega\text{-m}$ . A sheet of the material is 15 cm long, 6 cm wide and 0.014 cm thick. Determine resistance between (A) Opposite ends, and (B) Opposite sides. | 20% |
| Q2 | Calculate the equivalent resistance $R_{ab}$ in the circuit in FIG (2).   | 20% |
| Q3 | Use superposition theorem to find the current I through the $6\Omega$ resistor in FIG (3).  | 20% |
| Q4 | For the bridge network in FIG (4), find $i_0$ by using mesh analysis.   | 20% |
| Q5 | Find the Thévenin equivalent circuit for the network in the shaded area in FIG (5).   | 20% |
| Q6 | Use nodal analysis to find $V_x$ in the circuit shown in the FIG (6).   | 20% |

Head of Dep.: .....

Name: Zaid Salim Hamood

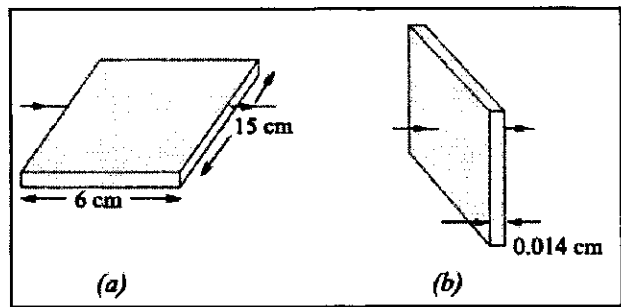
Good Luck

Lecturer: .....

Name: Omar Ahmed Raheem

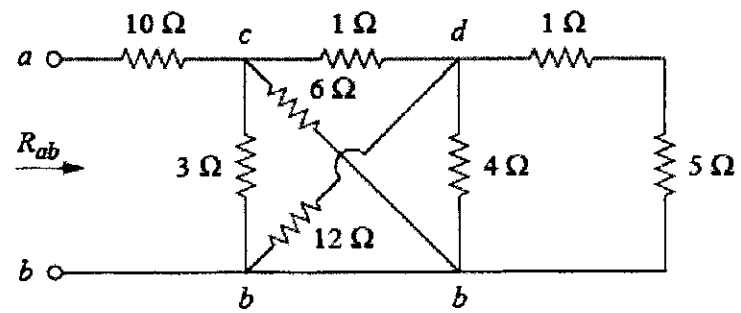
Attached Figures and Notes

Q1



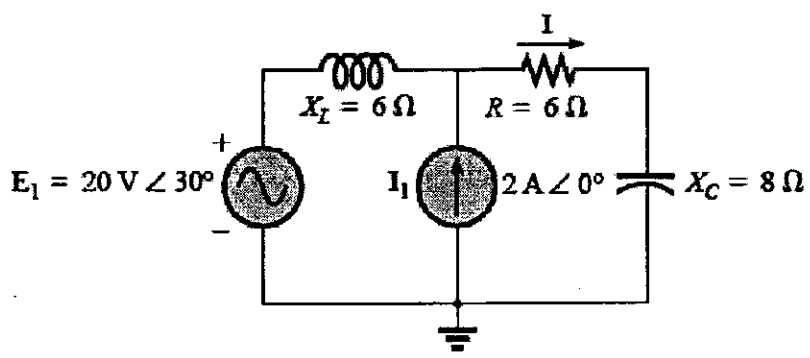
FIG(1)

Q2



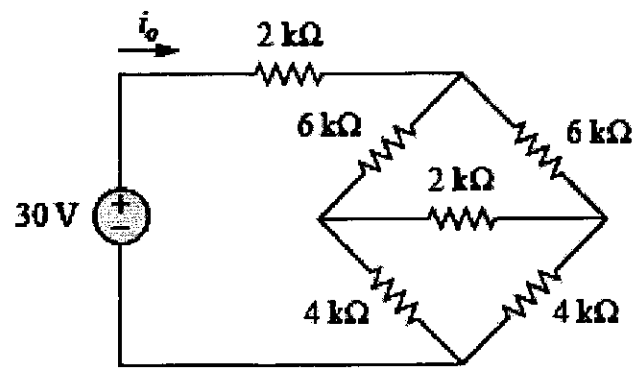
FIG(2)

Q3



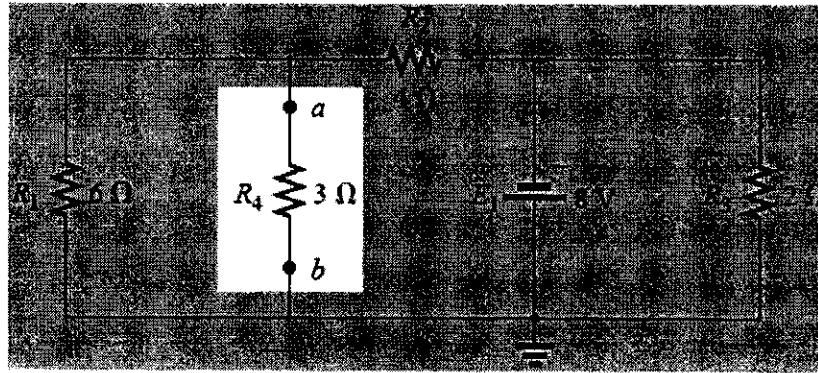
FIG(3)

Q4



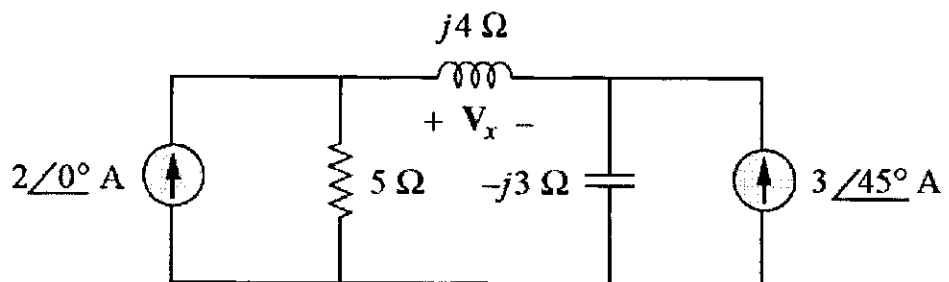
FIG(4)

Q5



FIG(5)

Q6



FIG(6)





University of Diyala  
College of Engineering  
Dep. of Computer &  
Software Engineering  
Final Exam/2<sup>nd</sup> Attempt

الامتحان



Class: 1<sup>st</sup> stage  
Subject: Basics of  
Electrical Engineering  
Year: 2011-2012  
Time: 3 hour  
Date : 3 - 9 - 2012

Note:-Answer All Questions

|    |  |             |
|----|--|-------------|
| Q1 | <b>Explain Five of the Following:</b><br>(1) Power. (2) Ohm's Law. (3) Open Circuit. (4) Thevenin's theorem. (5) The cycle in AC waveform. (6) Peak to Peak Value.   | 10<br>Marks |
| Q2 | <b>For the circuit shown in Figure (1), determine:</b><br>1. Compute I.<br>2. Find I1, I2 and I3.<br>3. Verify Kirchhoff's law by showing that $I=I1+I2+I3$ .<br>4. Find the Total Impedence of the circuit. | 10<br>Marks |
| Q3 | Find the Current I in the Circuit Shown in <b>Figure (2)</b> .   | 10<br>Marks |
| Q4 | <b>For the network shown in Figure (3), find:</b><br>1. The currents IT, I1, I3 and I4.<br>2. Calculate Va and Vbc.  | 10<br>Marks |
| Q5 | <b>For the network shown in Figure (4):</b><br>determine the voltage V1, V2 and the current I.   | 10<br>Marks |
| Q6 | <b>For the circuit shown in Figure (5):</b><br>1. Write the nodal equations and solve for nodal voltages.<br>2. Determine the magnitude and polarity of the voltage across each resistor.                    | 10<br>Marks |

Good Luck

Head of Dep: .....

Name: Dr. Saad A. Salman

Lecturer: .....

Name: ...MSc, Zeyad Assi Obaid

Attached Figures and Notes

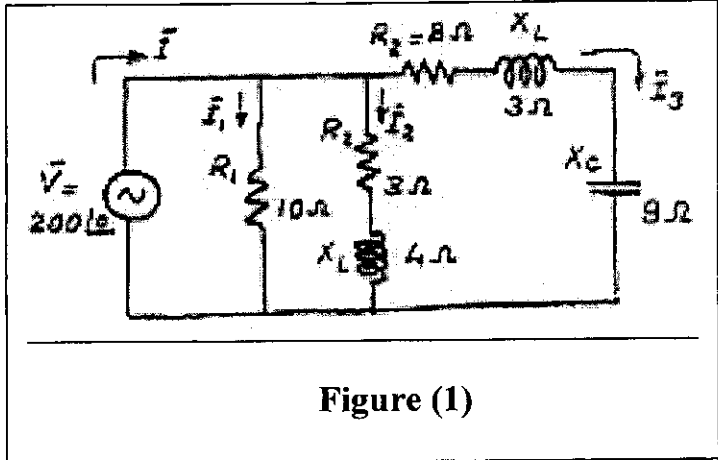


Figure (1)

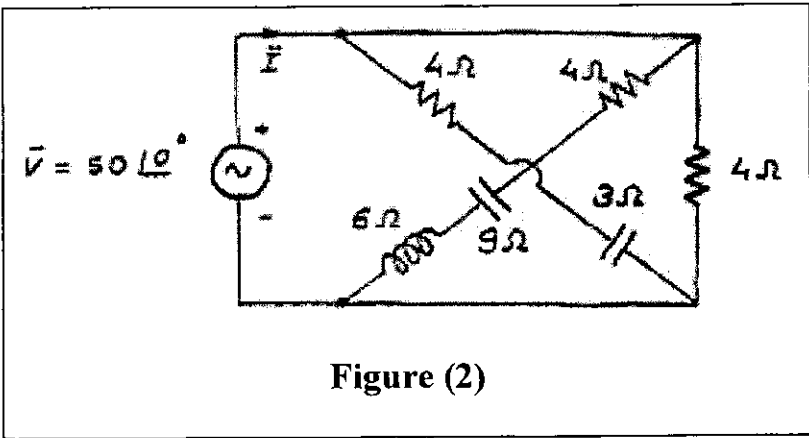


Figure (2)

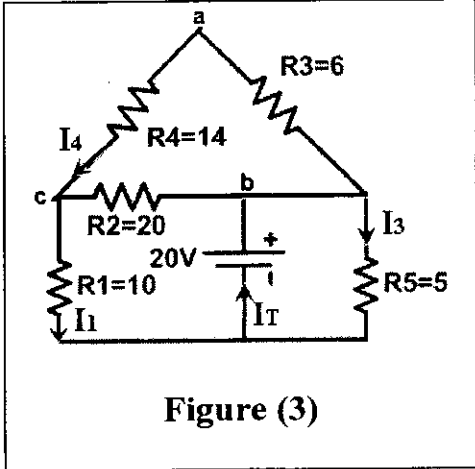


Figure (3)

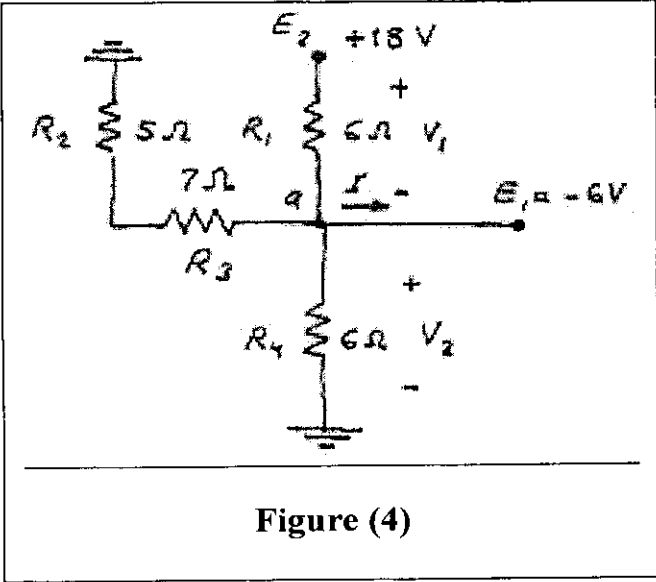


Figure (4)

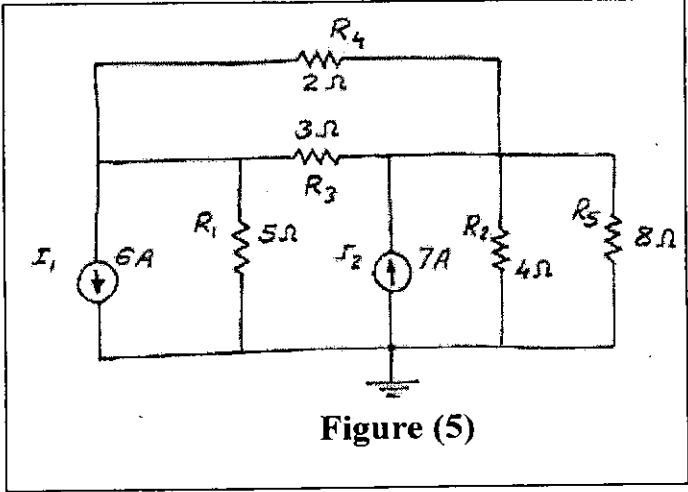


Figure (5)

✓

Diyala University College of Eng.  
Civil Eng. Dep.

1<sup>st</sup> Class

2<sup>nd</sup> Attempt (2011-2012)

time : 3hrs

Note :- Answer four Questions only ( 12.5 mark for each question )

Q1 :

Find the total resistance between points (a,b) in the circuit shown in figure (1).

Q2:

find the current passing through the resistor (10 ohms) using Thevenin's theorem in the circuit shown in figure (2) .

Q3:

Repeat Q2 using Norton's theorem .

Q4 :

Three impedances  $Z_1 = (3+j4)$  ohms ,  $Z_2 = (3-j4)$  ohms ,  $Z_3 = (6+j8)$  ohms are connected in parallel to a voltage source (  $V = 20 \sin 1000t$  ) . Find all branch currents , total current , total impedance and draw the impedance diagram .

Q5:

If a voltage source  $V = 100 \sin (200t + 40^\circ)$  volt , is supplied with an electrical circuit , and the generated current is  $i = 10 \sin(200t - 5^\circ)$  Ampers.

Find the impedance of this circuit and the components of this impedance

الحديث

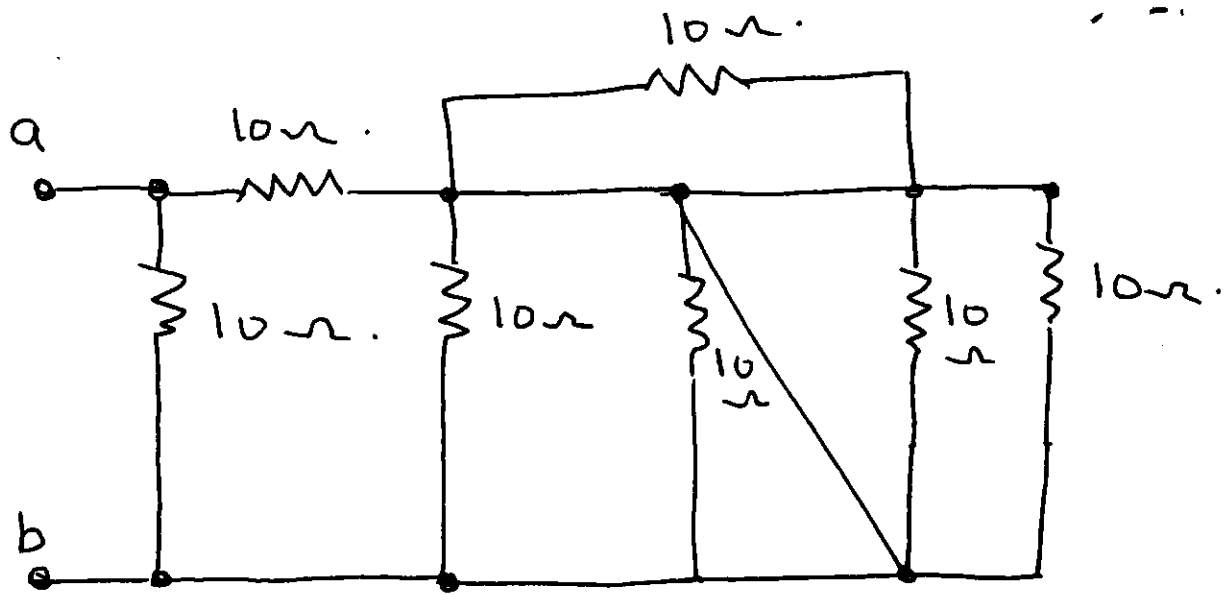


Figure (1).

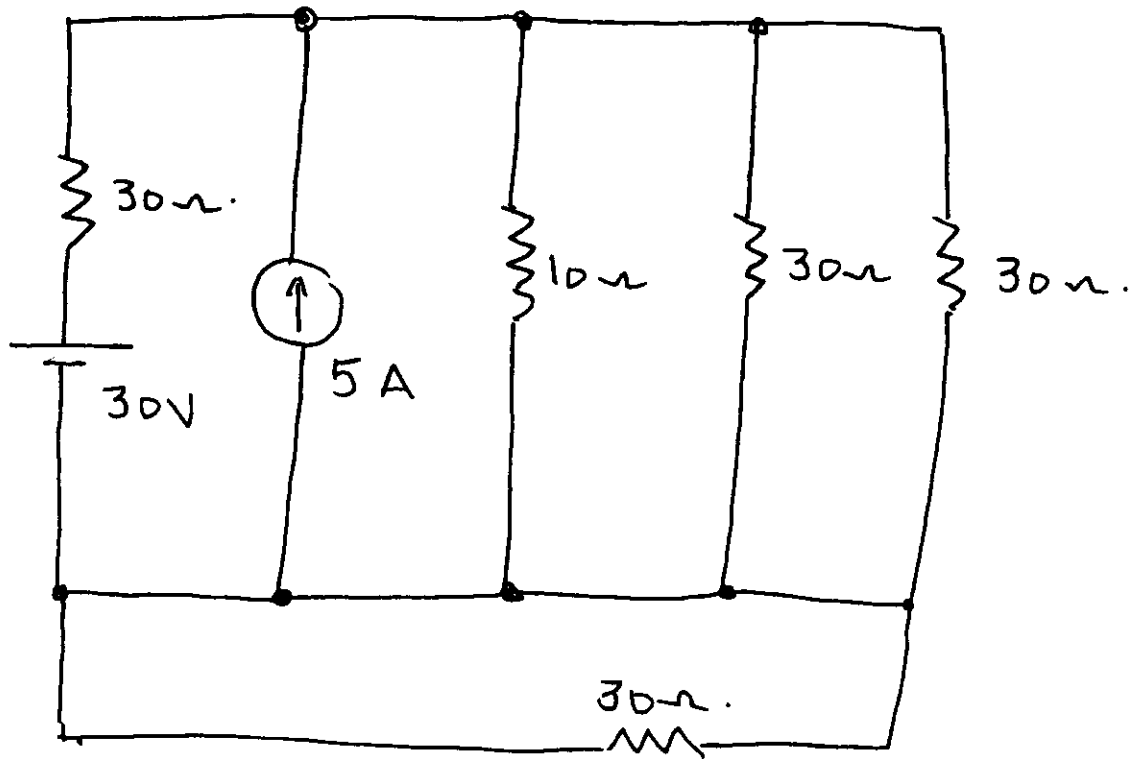


Figure (2).

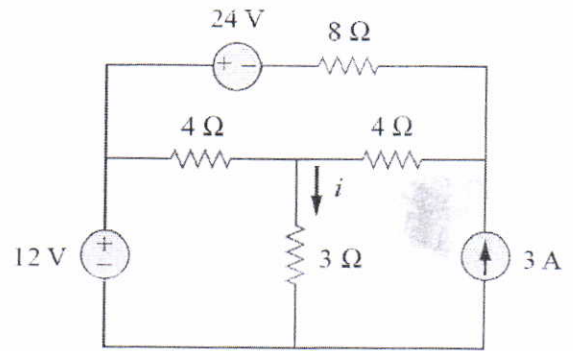


Note: Answer five questions only.

السؤال الخامس

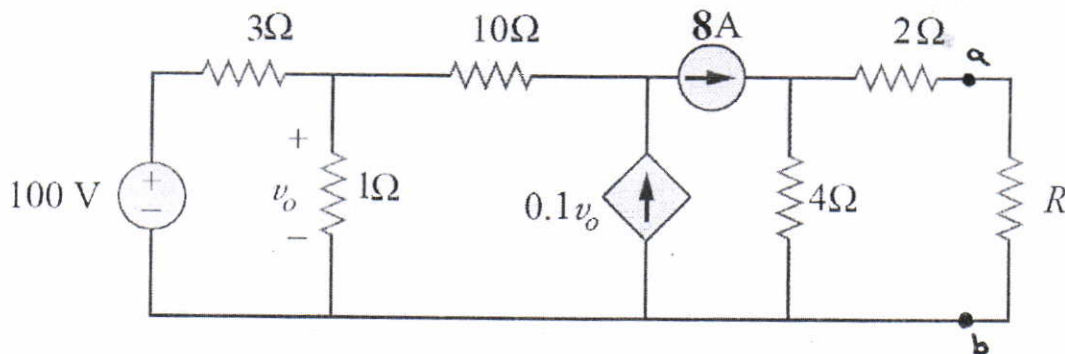
ع / ٨ / ١٤

Q1/ Use the superposition theorem to find  $i$ .



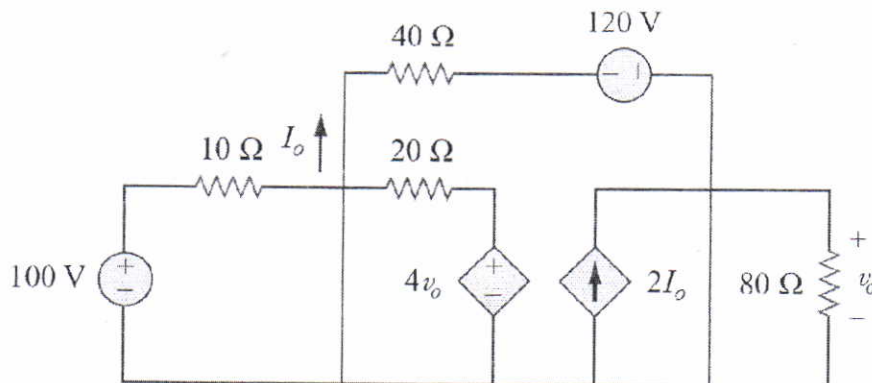
\*\*\*\*\*

Q2/ Find the maximum power transferred to resistor  $R$  in the circuit shown.

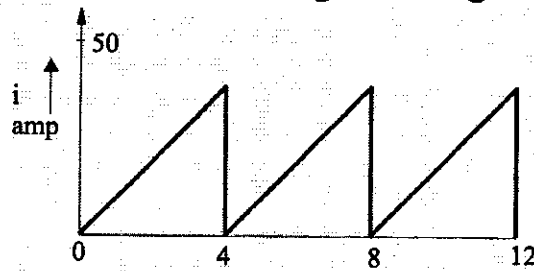


\*\*\*\*\*

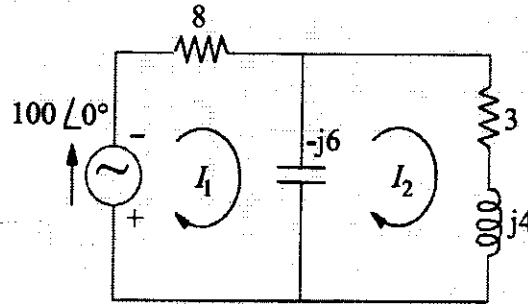
Q3/ Using nodal analysis, find  $v_o$  and  $i_o$  in the circuit shown.



**Q4/ (a)** Find the form-factor of the wave form given in figure shown.

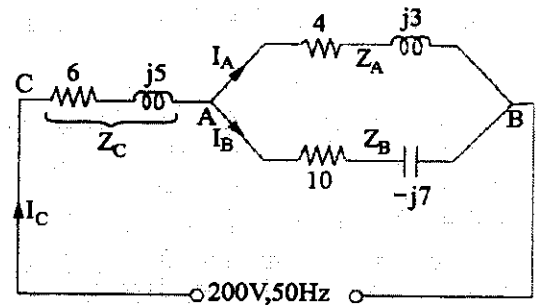


**(b)** For the figure shown, write the mesh equations and simplify it without finding the results.



\*\*\*\*\*

**Q5/** In a series-parallel circuit shown in figure, calculate : (a) current  $I_A$ ,  $I_B$  and  $I_C$ ; (b) the power factor for each branch and the total power factor for the whole circuit.

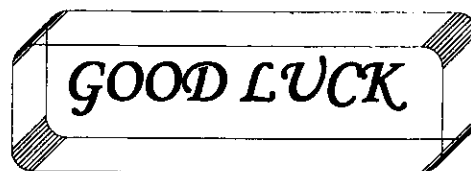


\*\*\*\*\*

**Q6/** A current of 5 A flows through a non-inductive resistance in series with a choking coil when supplied at 250-V, 50-Hz.

If the voltage across the resistance is 125 V and across the coil 200 V, calculate (a) impedance, reactance and resistance of the coil (b) the power absorbed by the coil and (c) the total power. Draw the vector diagram.

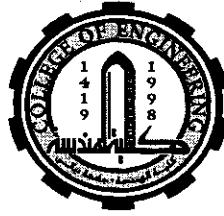
\*\*\*\*\*



Examiner :Asst., Lecturer Wisam N. AL-Obaidi



University of Diyala  
 College of Engineering  
 Dep. Of pow & ele mach..  
 Final Exam/2<sup>st</sup> Attempt



Class:3ed stage  
 Subject: engineering analyses  
 Year: 2011-2012  
 Time:3 hour

Note:-Answer eight questions only

|    |   |       |
|----|---|-------|
| Q1 | <p>A-Find the Fourier transform of the spectrum represented in figure (1).</p> <p>B-Obtain the Fourier transform of the single sided exponential pulse <math>e^{-at}u(t)</math>.</p>  | 12.5% |
| Q2 | <p>A-Find the Z transform by residue theorem for</p> $F(t) = e^{at} \cos wt.$ <p>B- by using power series method evaluate</p> $Z^{-1} \left[ \frac{z^2}{z^2 + 3z + 2} \right]$ <p>C- Determine <math>Z^{-1} \left[ \frac{(1-e^{-a})z}{(z-1)(z-e^{-a})} \right]</math></p> | 12.5% |
| Q3 | <p>A-find the Laplace –transform of the rectangular wave shown in figure (2).</p> <p>B-Determine the <math>f(t)</math> such that</p> $f(t) = 0 \quad 0 \leq t \leq 1$ $= 0.5 \quad 1 \leq t \leq 2$ $= 1 \quad 2 \leq t \leq 3$ $= 0.5 \quad 3 \leq t \leq 4$             | 12.5% |

|     |  |       |
|-----|--|-------|
| Q4  | <p>Solve the following partial differential equation:</p> $3\frac{\partial u}{\partial x} + 2\frac{\partial u}{\partial y} = 0, u(x, 0) = 4e^{-x}$   | 12.5% |
| Q5  | <p>Apply the Laplace transforms to solve the following partial differential equation:</p> $\frac{\partial u}{\partial t} = \frac{\partial^2 u}{\partial x^2},$ <p><math>u(x,0) = 3\sin 2\pi, u(0,t) = 0, u(1,t) = 0</math>, where <math>0 \leq x \leq 1</math>, <math>u</math> is bounded.</p> | 12.5% |
| Q6  | <p>Show that</p> $\int_x^1 p_n(x) dx = \frac{1}{2n+1} [p_{n-1}(x) - p_{n+1}(x)]$   | 12.5% |
| Q7  | <p>Obtain the root of <math>x^3 + x - 1 = 0</math> by fixed point method given that the root lies near 1.</p>  | 12.5% |
| Q8  | <p>Solve the following differential equation by using improved Euler's method.</p> $\frac{dy}{dx} = x^2 + y$ for $x=0.02$ by taking $h=0.01$ , given that $y=1$ at $x=0$ .   | 12.5% |
| Q9  | <p>Evaluate <math>\int_0^{2\pi} \frac{d\theta}{5+3\sin\theta}</math></p>   | 12.5% |
| Q10 | <p>Show that <math>\int_0^{2\pi} \frac{\cos 3\theta}{5-4\cos\theta} d\theta = \frac{\pi}{12}</math></p>  | 12.5% |



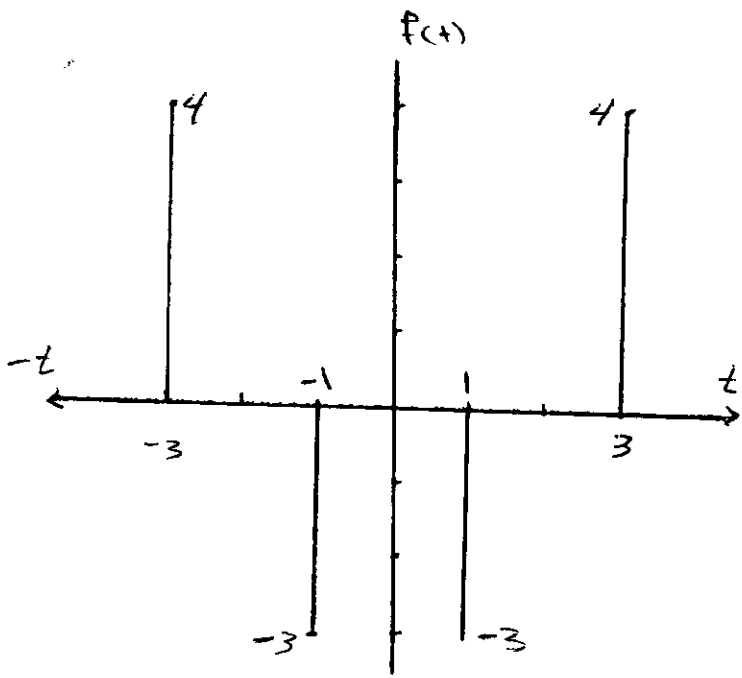


Fig. - 1 -

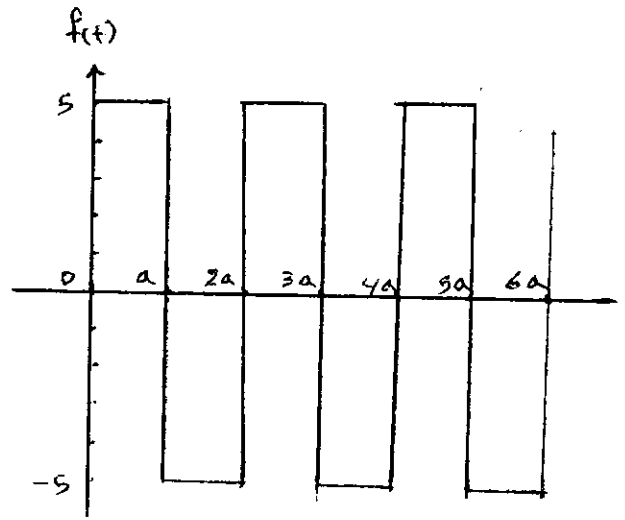


Fig. - 2 -

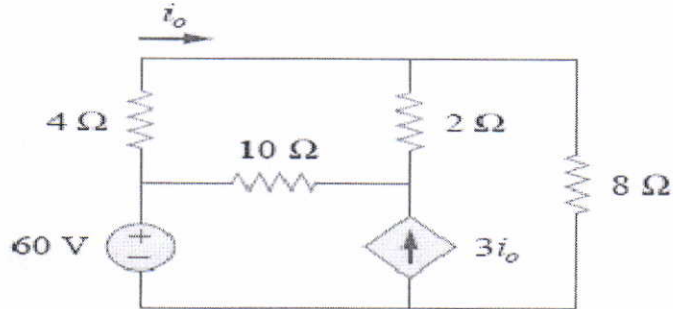


القدرة

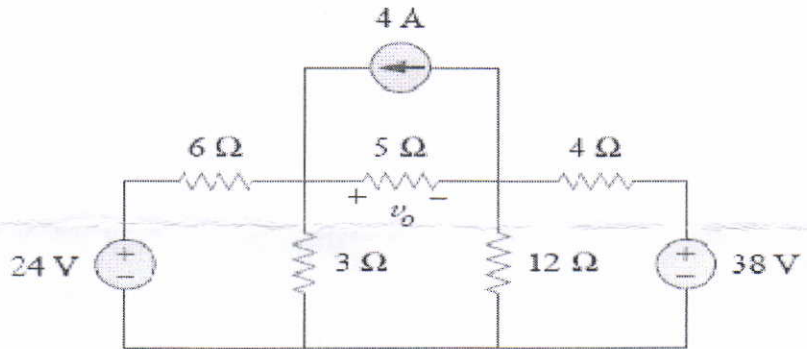


Note: Answer Six Questions.

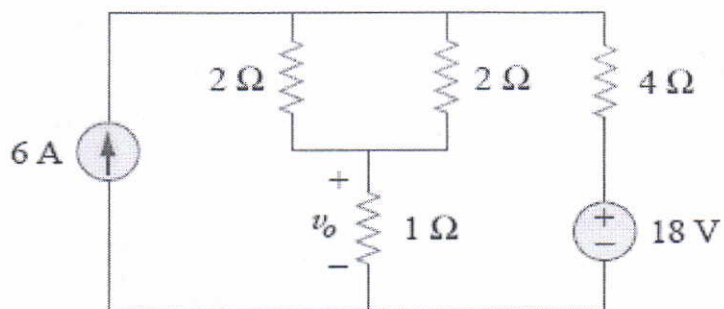
**Q1:** Using mesh analysis, find  $i_o$  in the circuit of figure below. (10 Marks)



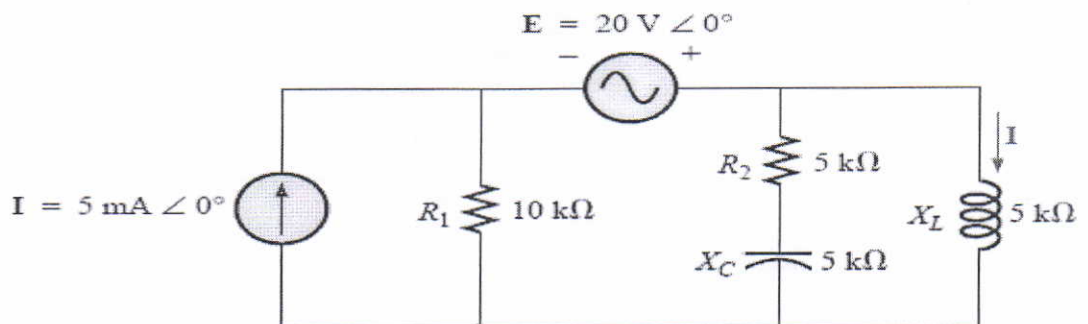
**Q2:** Using Thevenin's theorem, find  $v_o$  in the circuit of figure below. (10 Marks)



**Q3:** Using superposition principle find  $v_o$  in the circuit of figure below. (10 Marks)



**Q4:** Determine the current  $I$  in the network of figure below. (10 Marks)

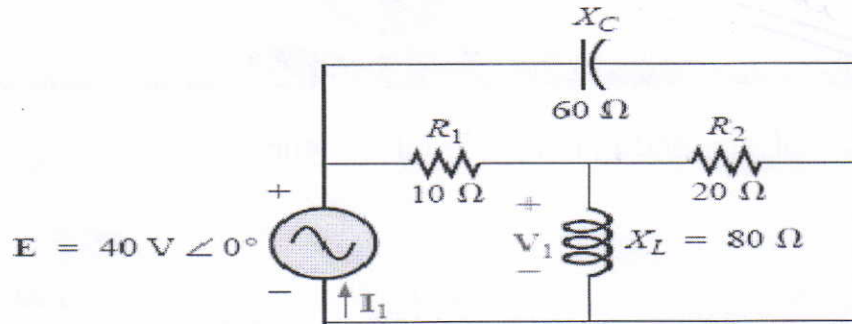


**Q5:** For the network of figure below.

a) Find the current  $I_1$ .  
delivered to the network.

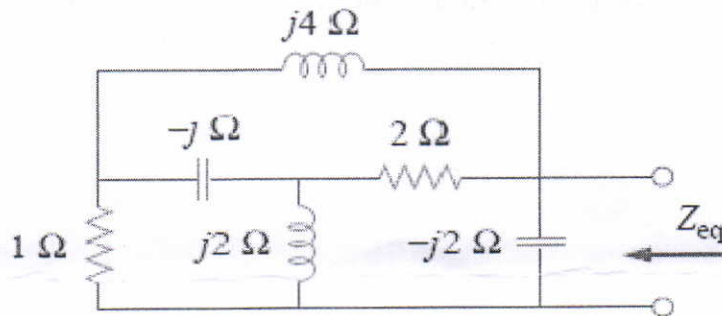
b) Find the voltage  $V_1$ .

c) Find the average power  
(10 Marks)



**Q6: A)** Prove that  $I_{rms} = I \sqrt{\frac{3}{2}}$  if  $i = (I + I \sin \theta)$ , assuming  $\theta = (0 - 2\pi)$ . (5 Marks)

**B)** Find the equivalent impedance of the circuit in figure below. (5 Marks)



**Q7:** A series resonant circuit with an input voltage of  $5 \text{ V } \angle 0^\circ$ , peak current of 0.5 A at resonance, bandwidth of 120 Hz and resonant frequency of 8400 Hz. Find the value of  $R$ ,  $L$  and  $C$  and the cutoff frequencies. (10 Marks)

**Q8:** For the magnetic circuit shown in figure below find the current  $I$  in the coil needed to produce a flux of 0.45 mWb in the air gap. The silicon iron magnetic circuit has a uniform cross sectional area of  $3 \text{ cm}^2$  (assume  $\mu_{rs} = 500$ ). (10 Marks)

